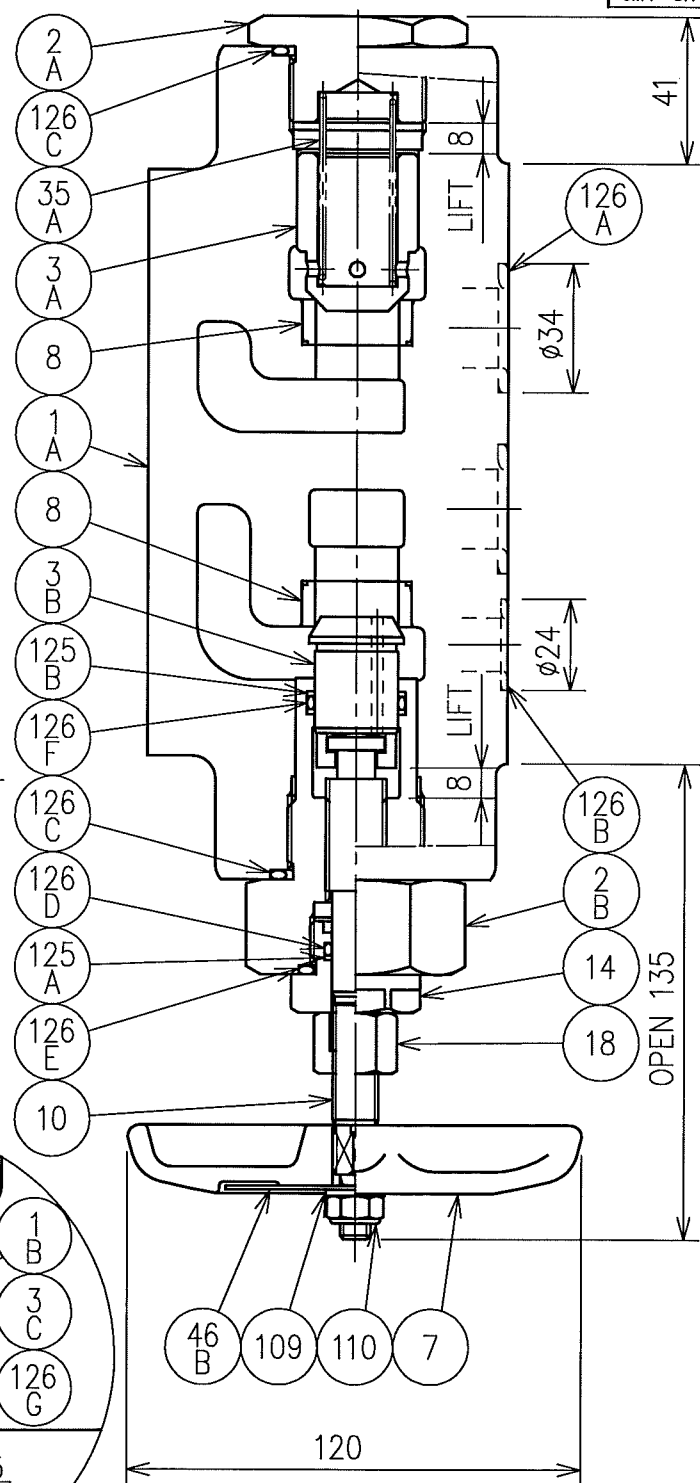
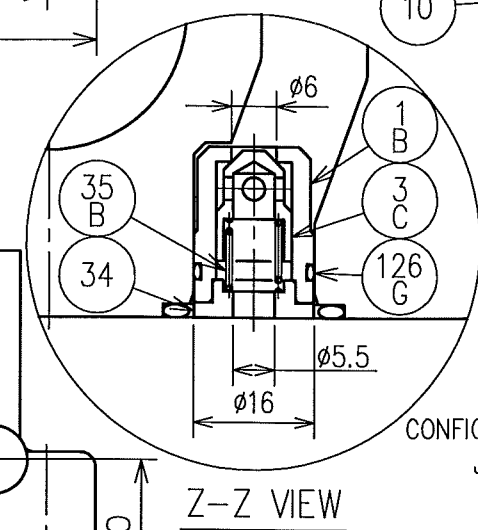
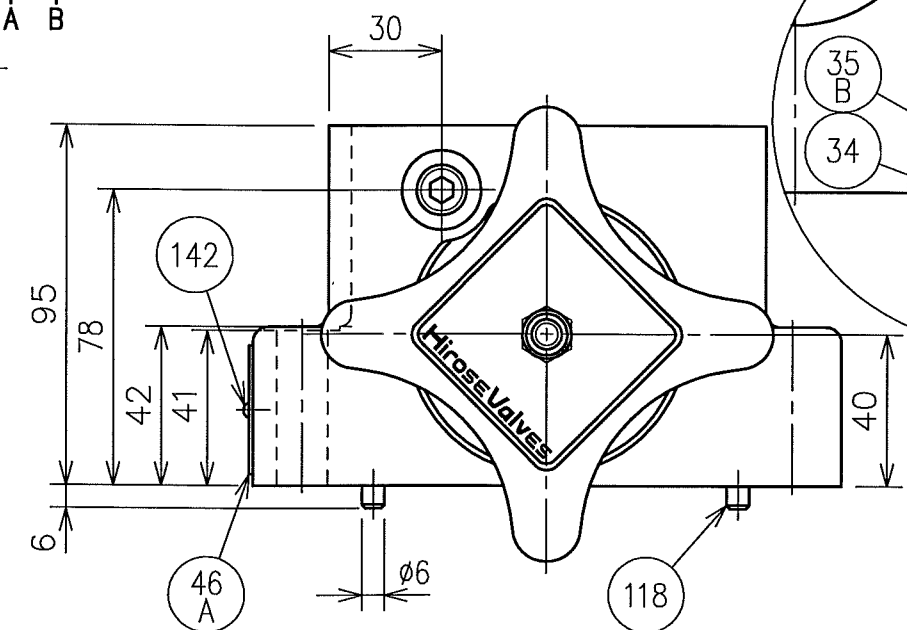
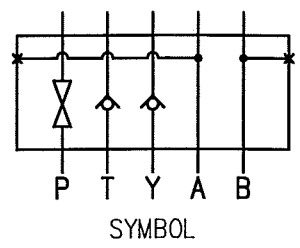
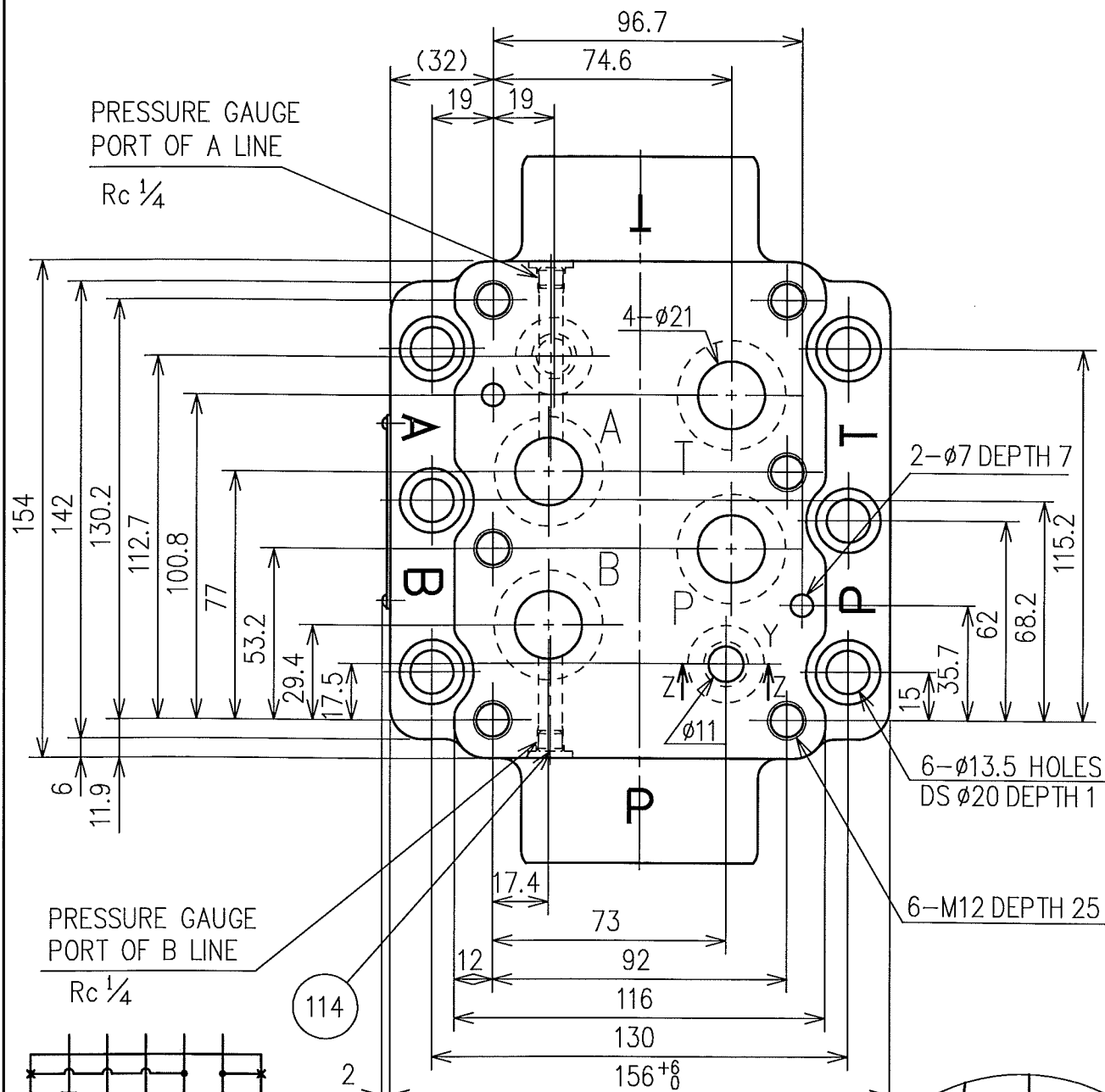


NOTE "X PORT" IS BLOCKED.
Y PORT CRACKING PRESSURE : 0.035 MPa



CONFIGURATION OF MODEL NO.
JMV-CR-06-SC-T***

- T PORT CRACKING PRESSURE
- T PORT IS CHECK VALVE
- P PORT IS STOP VALVE
- SIZE
- R: PRESSURE GAUGE PORT Rc 1/4
- Y PORT IS CHECK VALVE

MODEL NO.	T PORT CRACKING PRESSURE MPa	REMARKS
JMV-CR-06-SC	0.035	STANDARD
JMV-CR-06-SC-T10	0.1	
JMV-CR-06-SC-T20	0.2	
JMV-CR-06-SC-T35	0.35	
JMV-CR-06-SC-T50	0.5	

変更履歴		REMARKS		
符号 SYM	変更管理番号 REVISIONS	日付 DATE	担当 SIGN	承認 APPROVED
△	95071401	1995, 7, 14	Y.Y	N,M
△	03031801	2003, 3, 18	G.K	T.T
△	04020201	2004. 7. 1	G.K	T.T
△	09081809	2009, 8, 19	Y.O	T.T
△	16052402	2016, 5, 25	Y,T	T.T

品番 NO.	部品名 NAME OF PARTS	数量 REQ.D NO.	備考 REMARKS
142	RIVET	2	
126G	O-RING	1	N.O.K
126F	O-RING	1	OR NBR-70-1 P22-N S14
126E	O-RING	1	OR NBR-90 G25-N
126D	O-RING	1	OR NBR-70-1 P12.5-N
126C	O-RING	2	OR NBR-90 G40-N
126B	O-RING	2	OR NBR-90 P20-N
126A	O-RING	4	OR NBR-90 P28-N
125B	BACK-UP RING	2	BR JIS B 2401-4 -T2-P22
125A	BACK-UP RING	1	BR JIS B 2401-4 -T2-P12.5
118	SPRING PIN	2	
114	SOCKET PLUG	2	
110	U-NUT	1	
109	PLAIN WASHER	1	
46B	NAME PLATE	1	
46A	NAME PLATE	1	
35B	SPRING	1	
35A	SPRING	1	
34	SPRING HOLDER	1	
18	LOCK NUT	1	
14	GLAND	1	
10	STEM	1	
8	SEAT RING	2	
7	HANDLE	1	
3C	POPPET	1	
3B	DISC	1	
3A	POPPET	1	
2B	BONNET	1	
2A	BONNET	1	
1B	BODY	1	
1A	BODY	1	

品番 NO.	部品名 NAME OF PARTS	数量 REQ.D NO.	備考 REMARKS
最高使用圧力 / MAX. WORKING PRESSURE		21 MPa	承認 APPROVED N.MIZUTANI
質量 / MASS		14.5 kg	検図 CHECKED M.MASUDA
接続方法 / COUPLING TYPE	MODULAR		製図 DRAWN Y.YASUDA

名称 NAME _____
形式 MODEL NO. JMV-CR-06-SC-***
3/8 B SIZE MAINTENANCE VALVE FOR OIL HYDRAULICS USE

日付 DATE	図番 DRAWING NO.
1989. 7. 4	ES-6727 5

廣瀬バルブ工業株式会社 / HIROSE VALVE INDUSTRY CO.,LTD.